



WALL SURFACE

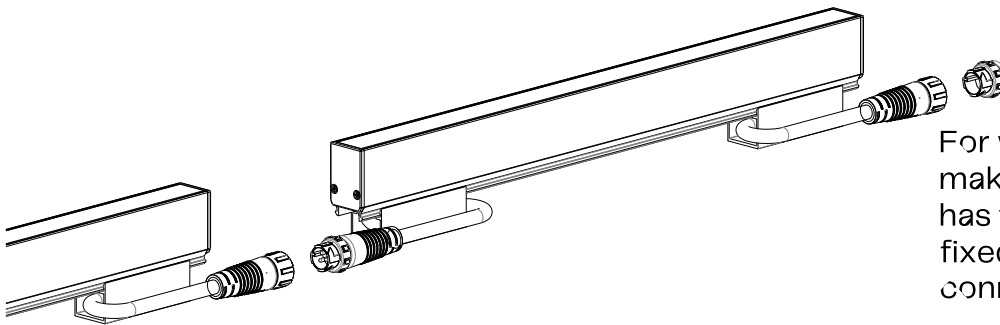


WALL SURFACE

Model ----- **K88**

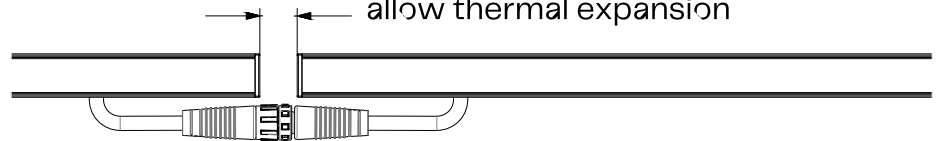
**Important:**

- Make sure power is disconnected during installation or maintenance
- Do not attempt installation in wet or severe weather conditions
- Keep cables protected from sharp objects to prevent damage
- Make sure unconnected fixtures are not exposed to raining/ snowing environment

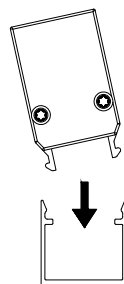


For waterproof connection make sure that the last fixture has the endcap connector fixed to the last output connector

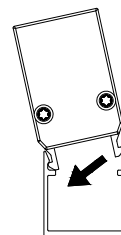
Minimum of 4mm and maximum of 10mm spacing between fixtures to allow thermal expansion



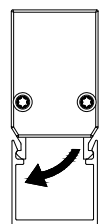
1. Mount bracket



2. Place fixture in bracket



3. Place feet under plate



4. Rotate in to bracket



LED

CR> 90

series wiring



RoHS COMPLIANT



LM-80

