



Inground Light



Inground Light

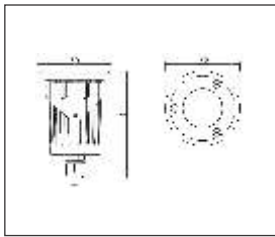
Simple and easy appearance, in line with contemporary aesthetic concept. The product has the structure and appearance design patent. The lamp body adopts high-pressure cast aluminum and aluminum alloy, the surface is coated with outdoor used powder, double anti-corrosion to extend service life. This lawn lamp series uses LED. High efficiency constant current driver, ensure the light source is maximum used.

IEC 62717 LED-modules for general lighting – Performance requirements  
IEC 62722-2-1 Particular requirements for LED luminaires

High Lumen Efficacy 105lm/W  
Body - High-quality stainless steel  
Diffuser - Clear tempered glass  
Glowing Wire Test - 850°  
Temperature - ta=20 °C ~ ta max=50 °C  
Class - I

**FIELDS OF APPLICATION**  
Outdoor Areas

## Model ----- **L88**



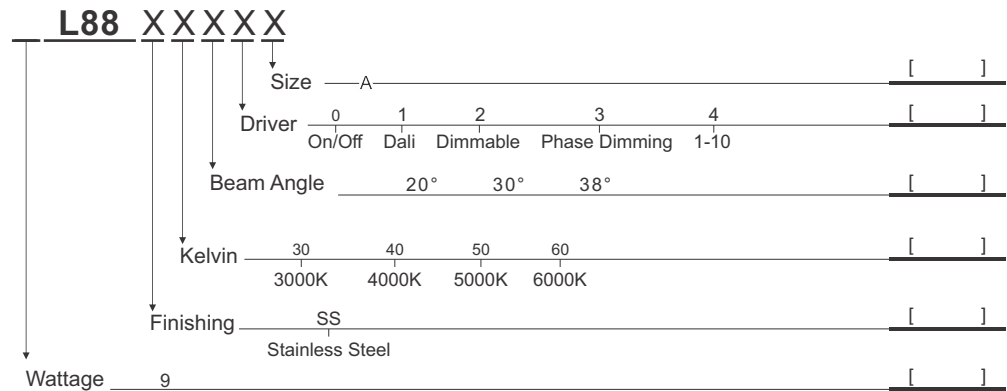
**A -** Ø79 X 114mm Cutout - 70mm

Default Available

**9L88-SS-30-20-0-A**



Product Assistant Chart

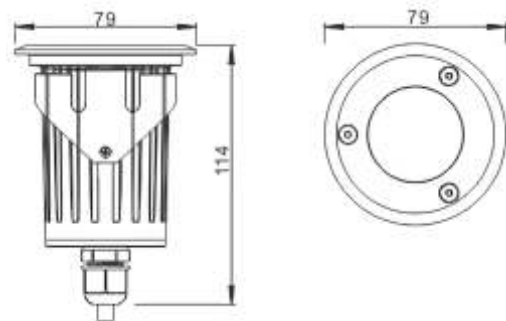
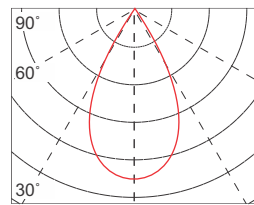
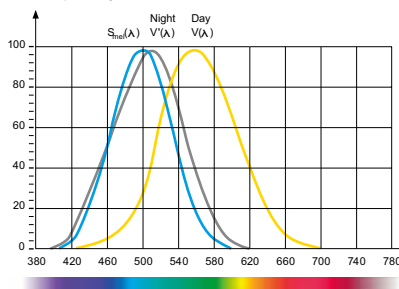


Lighting Customization Solution can offer you modifications for environment with higher options as a customized product.

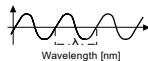
IP 67 IK 09 COB McA Step 3 AC/DC 12/24V

**Relative spectral perception of brightness and melanopic effect**

Effect as a percentage



Explanation of the three curves:  
V(A) = Perception of brightness, daytime seeing with the cones  
V(A) = Night-time seeing with the rods  
S<sub>m</sub>(A) = Melatonin suppression with the photosensitive ganglion cells



| LED life time                 |           | Operating time 1.000 h |    |      |      |      |      |      |      |      |      |      |      |
|-------------------------------|-----------|------------------------|----|------|------|------|------|------|------|------|------|------|------|
| Lamp Lumen Maintenance Factor |           | 1                      | 10 | 20   | 30   | 40   | 50   | 60   | 70   | 80   | 90   | 100  |      |
| Lamp Survival Factor          |           | 1                      | 1  | 1    | 1    | 1    | 1    | 1    | 1    | 0.99 | 0.99 | 0.99 |      |
| L80                           | 50.000 h  | LLMF                   | 1  | 0.96 | 0.92 | 0.88 | 0.84 | 0.80 | 0.76 | 0.72 | 0.68 | 0.64 | 0.60 |
|                               |           | LSF                    | 1  | 1    | 1    | 1    | 1    | 1    | 0.99 | 0.99 | 0.99 | 0.99 | 0.98 |
| L80                           | 100.000 h | LLMF                   | 1  | 0.98 | 0.96 | 0.94 | 0.92 | 0.90 | 0.88 | 0.86 | 0.84 | 0.82 | 0.80 |
|                               |           | LSF                    | 1  | 1    | 1    | 1    | 1    | 1    | 1    | 0.99 | 0.99 | 0.99 | 0.99 |



LED

CR> 90

series wiring



CE

