



Wall luminaires

Simple and easy appearance, in line with contemporary aesthetic concept. The product has the structure and appearance design patent. The lamp body adopts high-pressure cast aluminum and aluminum alloy, the surface is coated with outdoor used powder, double anti-corrosion to extend service life. This lawn lamp series uses LED. High efficiency constant current driver, ensure the light source is maximum used.

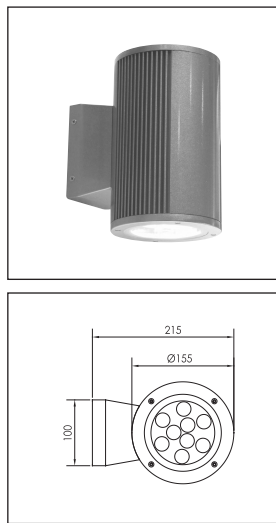
IEC 62717 LED-modules for general lighting – Performance requirements
IEC 62722-2-1 Particular requirements for LED luminaires

High Lumen Efficacy 110lm/W
Body - Die cast aluminum
Diffuser - Clear tempered glass
Glowing Wire Test - 850°
Temperature - ta=20 °C ~ ta max=65 °C
Class - III

FIELDS OF APPLICATION
All outdoor wall areas

Optional optical diffusers - Clear Frosted

Model --- **W34**



A - Ø155 X 250mm
B - Ø155 X 350mm

Default Available

21W34-G-30-5-0-A

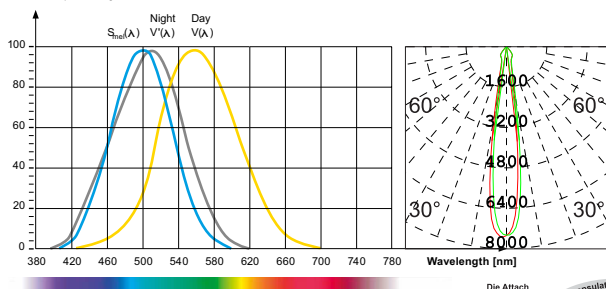
Product Assistant Chart

W34 X X X X X										
Size	A		B							[]
Driver	0	1	2	3	4					[]
	On/Off	Dali	Dimmable	Phase Dimming	1-10					[]
Beam Angle	5°	8°	12.5°	20°	30°	45°				[]
Kelvin	27	30	40	50	60					[]
	2700K	3000K	4000K	5000K	6000K					[]
Finishing	W	G	B							[]
	White	Dark Grey	Black							[]
Wattage Sizes	21	36								[]

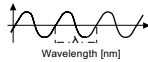
Lighting Customization Solution offer the wide range of customized product with best available options.

IP 66 IK 09 LED McA Step 3 220~240V

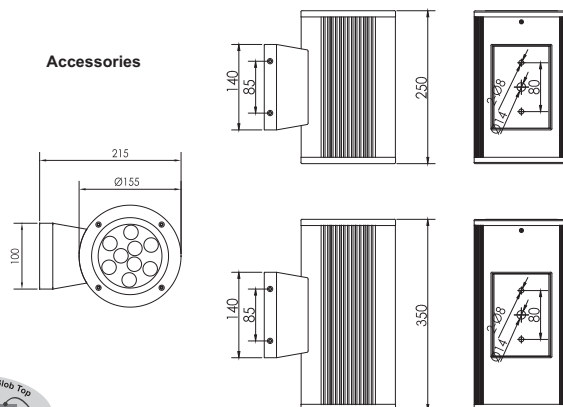
Relative spectral perception of brightness and melanopic effect
Effect as a percentage



Explanation of the three curves:
V(A) = Perception of brightness, daytime seeing with the cones
V(N) = Night-time seeing with the rods
S_m(A) = Melatonin suppression with the photosensitive ganglion cells



Accessories



LED life time		Operating time 1.000 h										
Lamp Lumen Maintenance Factor	Lamp Survival Factor	1	10	20	30	40	50	60	70	80	90	100
L80	50.000 h	LLMF	1	0.96	0.92	0.88	0.84	0.80	0.76	0.72	0.68	0.60
		LSF	1	1	1	1	1	1	0.99	0.99	0.99	0.98
L80	100.000 h	LLMF	1	0.98	0.96	0.94	0.92	0.90	0.88	0.86	0.84	0.80
		LSF	1	1	1	1	1	1	1	0.99	0.99	0.99



LED

CRP-90

series wiring



CE

