



Wall luminaires

Simple and easy appearance, in line with contemporary aesthetic concept. The product has the structure and appearance design patent. The lamp body adopts high-pressure cast aluminum and aluminum alloy, the surface is coated with outdoor used powder, double anti-corrosion to extend service life. This lawn lamp series uses LED. High efficiency constant current driver, ensure the light source is maximum used.

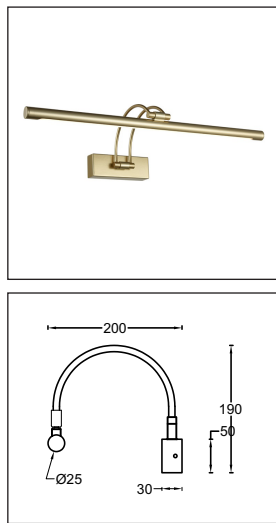
IEC 62717 LED-modules for general lighting – Performance requirements
IEC 62722-2-1 Particular requirements for LED luminaires

- High Lumen Efficacy
- Body - Die cast aluminum
- Diffuser - Clear tempered glass
- Glowing Wire Test - 850°
- Temperature - ta=20 °C ~ ta max=50 °C
- Class - III

FIELDS OF APPLICATION

Office & Education, offices, open-plan offices, conference rooms, conference rooms, reception areas, counters, galleries, hotels, restaurants, living spaces

Model --- **W35**



A - Ø600 X 200 X 190mm

Default Available

12W35-GLD-30-0-B



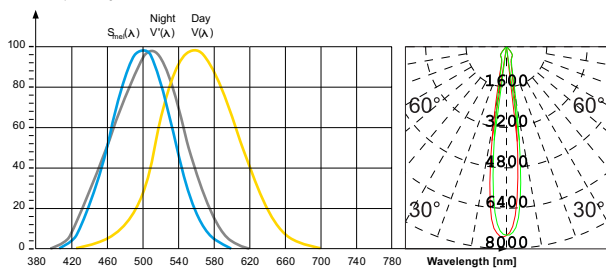
Product Assistant Chart

W35 X X X X X					
Size	A				[]
Driver	0	1	2	3	4
	On/Off	Dali	Dimmable	Phase Dimming	1-10
Beam Angle	WIDE°				[]
Kelvin	27	30	40	50	60
	2700K	3000K	4000K	5000K	6000K
Finishing	GLD	G	B		[]
	GOLD	Dark Grey	Black		[]
Wattage	10				[]

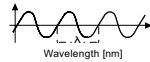
Lighting Customization Solution offer the wide range of customized product with best available options.

IP 20 IK 06 SMD McA Step 3 220~240V

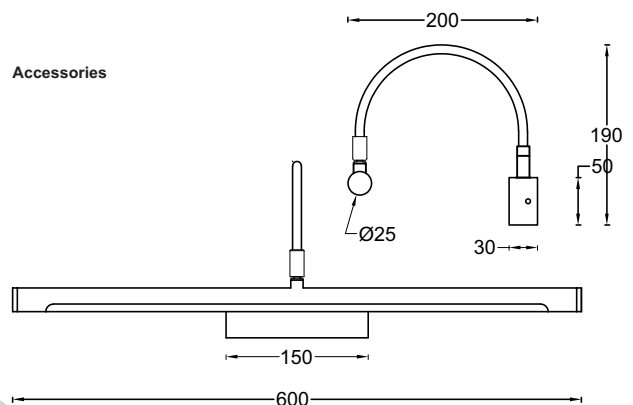
Relative spectral perception of brightness and melanopic effect
Effect as a percentage



Explanation of the three curves:
V(A) = Perception of brightness, daytime seeing with the cones
V(A) = Night-time seeing with the rods
S_{mel}(A) = Melatonin suppression with the photosensitive ganglion cells



Accessories



LED life time		Operating time 1.000 h										
Lamp Lumen Maintenance Factor	Lamp Survival Factor	1	10	20	30	40	50	60	70	80	90	100
L80	50.000 h	LLMF	1	0.96	0.92	0.88	0.84	0.80	0.76	0.72	0.68	0.64
		LSF	1	1	1	1	1	1	0.99	0.99	0.99	0.98
L80	100.000 h	LLMF	1	0.98	0.96	0.94	0.92	0.90	0.88	0.86	0.84	0.82
		LSF	1	1	1	1	1	1	1	0.99	0.99	0.99



LED



series wiring

